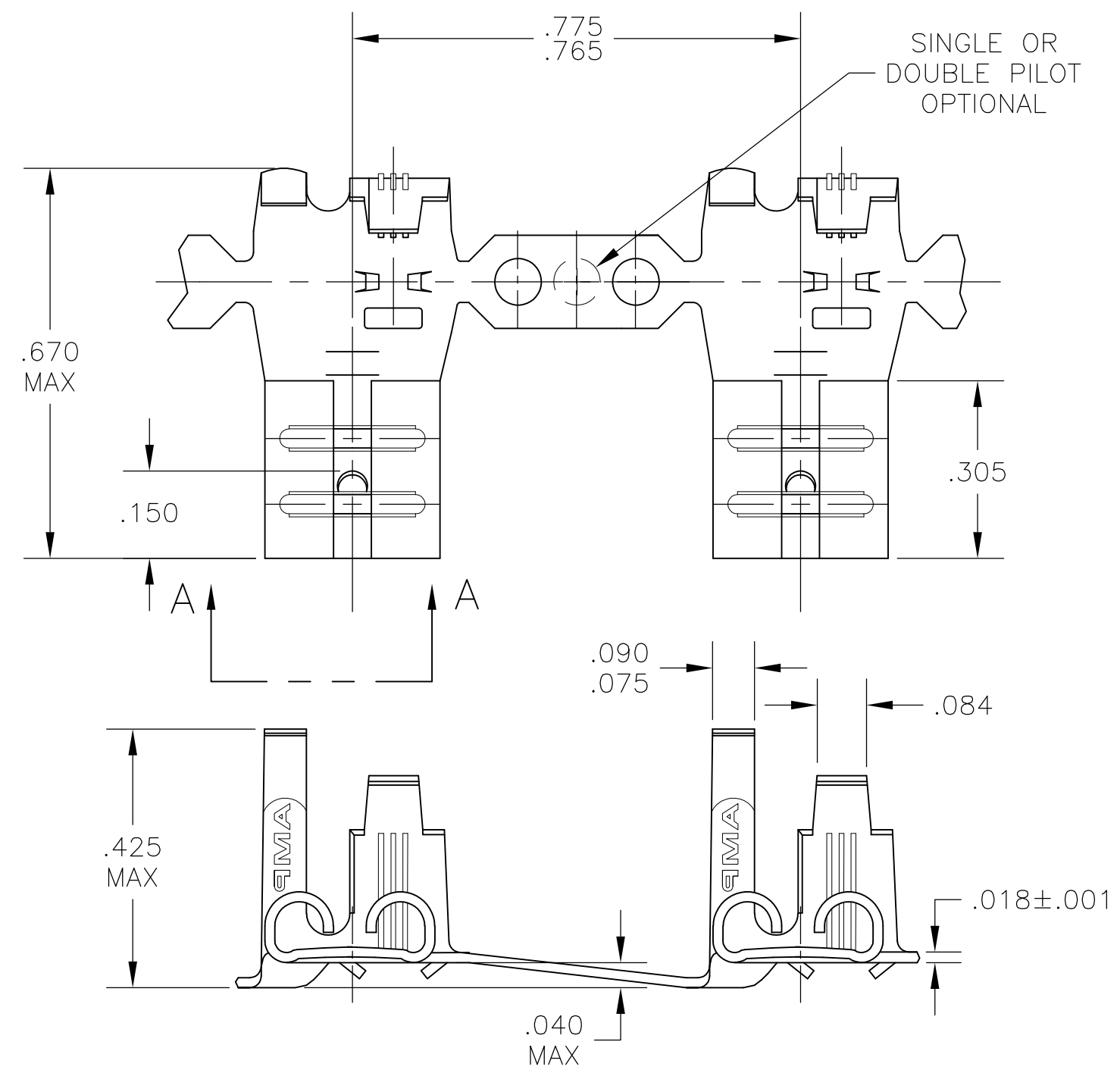


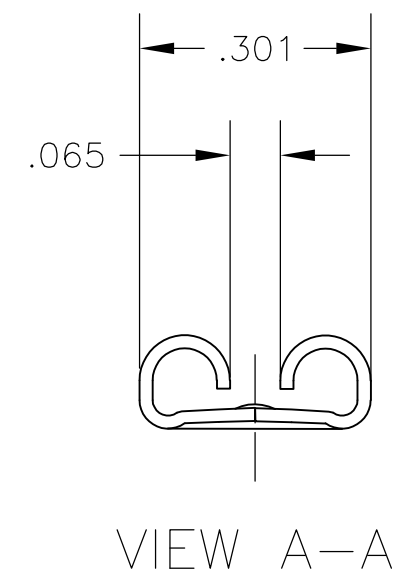
THIS DRAWING IS UNPUBLISHED. RELEASED FOR PUBLICATION
 © COPYRIGHT - By - ALL RIGHTS RESERVED.

LOC	DIST	REVISIONS			
P	LTR	DESCRIPTION	DATE	DWN	APVD
AF	50	AA	REVISED PER ECR-12-013445	18OCT12	KH PD



SINGLE OR
DOUBLE PILOT
OPTIONAL

- 1 CONTINUOUS STRIP ON REELS
- 2 MATING TAB THK IS .032±.001.
- 3 WIRE SIZE IS #18-#12 AWG
- 4 INSULATION RANGE IS .110-.210 DIA.



NICKEL	#2H STEEL	41531-1
-	BRASS	41531
FINISH	MATERIAL	PART NO.

THIS DRAWING IS A CONTROLLED DOCUMENT.		DWN	JR RUTH	18OCT02	TE Connectivity NAME RECEPTACLE, FLAG, FASTON, .250 SERIES		
DIMENSIONS: INCHES		CHK	P DESANTIS	18OCT02			
		APVD	P DESANTIS	18OCT02			
TOLERANCES UNLESS OTHERWISE SPECIFIED:		PRODUCT SPEC		APPLICATION SPEC			
MATERIAL: SEE TABLE		FINISH: SEE TABLE		WEIGHT: -	RESTRICTED TO: -		
		SIZE	A3	CAGE CODE	00779		
		DRAWING NO	C-41531		SCALE	4:1	
		CUSTOMER DRAWING		SHEET	1 OF 1	REV	AA